



# LS-sPODM Series

Switchpod



## Overview

The Push-Button SwitchPod Series of low voltage wall stations interface with standard Sensor Switch occupancy sensors and power packs in order to implement a wide range of single and bi-level switching applications. These switch devices provide an elegant and cost effective way of deploying bi-level lighting control that meet energy and building codes without having to source special sensors or power packs.

## Applications

- Bi-level lighting control without having to source special sensors or power packs

## Features & Benefits

- Enables Standard Occupancy Sensors to be used for Manual On Operation
- Alternative Usage as Override Switch for Auto-On Applications
- Single Gang Decorator Style w/ either 1 or 2 On/Off Switches
- Soft-Click Push-Buttons
- Programmable w/o Removing Switch Plate
- Optional Dual Manual On Operation
- Optional Multi-way Operation
- Optional 0-10 VDC Dimming Control
- Auto return to last set level - on dimmable devices, returns to last set dim level before switched off

# Product Specifications

|   |   |
|---|---|
| Size (not including ground strap)           | 2.74" H x 1.68" W x 1.63" D (6.96 cm x 4.27 cm x 4.14 cm) |
| Weight                                      | 2 oz  |
| Mounting                                    | Single Gang Switch Box or Low Voltage Ring                |
| Color                                       | White Ivory, Gray, Lt. Almond, & Black                    |
| Operative Voltage                           | 12-24 VAC/VDC   |
| Current                                     | 5 mA  |
| Dimming Load                                | Sinks < 20mA; ~40 Ballasts/Drivers @ .5mA each            |
| Wires (all 20 AWG)                          |   |
| <input type="checkbox"/> LS-sPODM (SA)      | 4   |
| <input type="checkbox"/> LS-sPODM (2SMM)    | 6   |
| <input type="checkbox"/> LS-sPODM (SA) 3X   | 6   |
| <input type="checkbox"/> LS-sPODM (SA) D    | 5   |
| <input type="checkbox"/> LS-sPODM (SA) 3X D | 7   |
| Rcmd. Power Pack                            | LS-PP20   |

# Model Selection

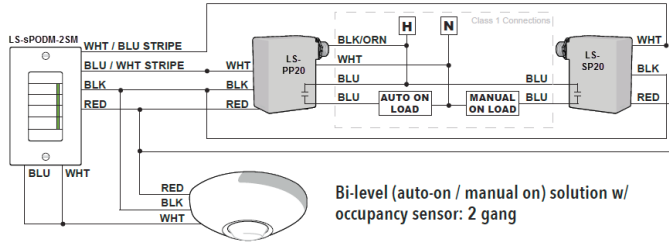
|                                  |  |     |        |      |    |   |    |   |
|----------------------------------|--|-----|--------|------|----|---|----|---|
| Push-Button Wall Switches        |  | LS- | sPODM- | XXXX | XX | X | XX | X |
| sPODM                            | Switchpod  |     |        |      |    |   |    |   |
| # of Switches / Default on Oper. | XXXX = 1 switch / Auto On<br>SAXX = 1 switch / Manual On<br>2SMA = 2 switches (Pole 1 Manual / Pole 2 Auto)<br>2SMM = 2 switches (Both poles manual) |     |        |      |    |   |    |   |
| Multi-Way <sup>1</sup>           | XX = None<br>3X = Multi-Way (3-way)  |     |        |      |    |   |    |   |
| Dimming <sup>1</sup>             | X = None<br>D = Dimming Operation  |     |        |      |    |   |    |   |
| Color                            | WH = White<br>BK = Black   |     |        |      |    |   |    |   |
| Temp / Humidity                  | X = Standard<br>L = Low Temps/High Humidity  |     |        |      |    |   |    |   |

1. Not available with 2 switch versions

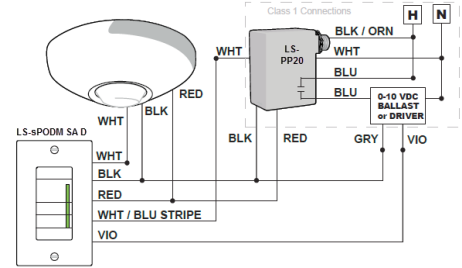
# Typical Configurations

Note: 18 AWG wire is recommended for all wiring

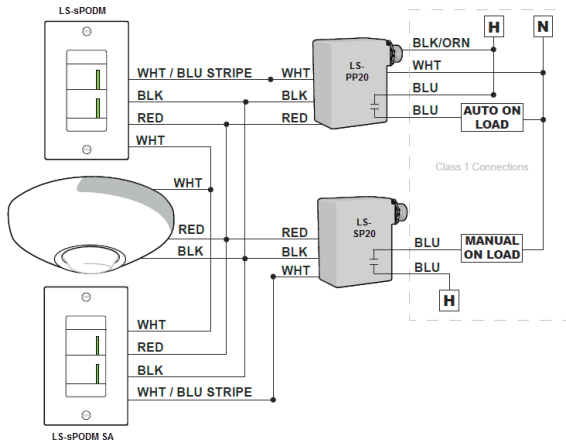
BI-LEVEL (MANUAL ON / AUTO ON) SOLUTION w/ OCCUPANCY SENSOR: 1 GANG



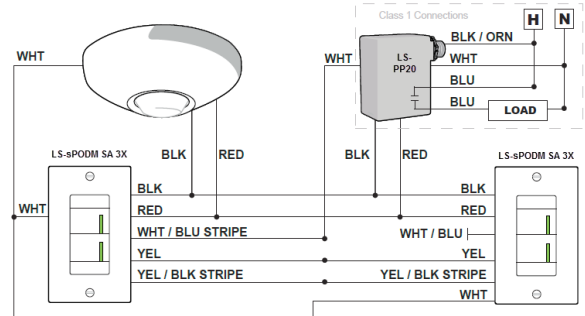
MANUAL ON w/ DIMMING & OCCUPANCY SENSOR



Note: If a sensor also has dimming output, connect sensor VIO wire to LS-sPODM and ballast/driver VIO wire. Lowest output level always takes precedence. If no sensor is used, connect the LS-sPODM white wire to the red wires.



3-WAY MANUAL ON SOLUTION w/ OCCUPANCY SENSOR



Note 1: LS-SPODM (SA) 3X D units should only be used in multi-way applications with LS-SPODM (SA) 3X units (non-dimming) as dimming levels are not communicated between devices.

Note 2: For multi-way configurations greater than two units, connect additional unit(s) in same manner as bottom right LS-SPODM SA 3X unit in diagram above.

Note 3: If no sensor is used, connect the LS-SPODM white wire to the red wires.

# Programming Instructions

Please read all 7 steps before programming

1. Enter programming mode by pressing & holding upper most button until LED flashes rapidly. Release button.
2. Enter the *On Mode* function by pressing button twice.
3. The current *On Mode* setting will then be fed out in a sequence of LED flashes as indicated in the table below (e.g., one flash for Auto-On). To change the setting, proceed to step 4 before sequence repeats 10 times.
4. At any time while the switch is flashing back the current *On Mode* setting, interrupt it by pressing button the number of times for the new desired *On Mode* setting as indicated in the table below (e.g., press twice for Manual On). Switch will begin to flash back new setting as confirmation.
5. Next, while the switch is flashing back new setting, interrupt it by pressing and holding button until LED flashes rapidly. Release button.
6. As final confirmation and activation of the new setting, press button two times.
7. LED will flash twice indicating acceptance of new setting. If two flashes are not seen, repeat 7 step process.

Note: To exit programming mode without saving, wait for blink back sequence to repeat 10 times then return to step 1.

| Function Number | Function Name | Settings (see ordering block for defaults) |           |                              |
|-----------------|---------------|--|-----------|------------------------------|
|                 |               | Setting Number                             | Pole 1    | Pole 2 (2-Pole devices only) |
| 2               | On Mode       | 1  | Auto-On   | Manual On                    |
|                 |               | 2  | Manual On | Auto-On                      |
|                 |               | 3 (2-Pole only)                            | Manual On | Manual On                    |
|                 |               | 4 (2-Pole only)                            | Auto-On   | Auto-On                      |

Specifications subject to change without notice. Performance specifications are nominal and conform to generally acceptable industry standards.  
 Manufacturer and/or Supplier shall not be liable for damages resulting from misapplication or misuse of these products.  
 ECLYPSE, Distech Controls, and the Distech Controls logo are trademarks of Distech Controls Inc. All other trademarks are property of their respective owner.  
 ©, Distech Controls Inc., 2017. All rights reserved.