



LS-WVPDT16

Wide View Sensor



Overview

The LS-WVPDT16 Dual Technology Wide View Sensor provides line of sight PIR detection of small movements up to 40 ft (12.19 m) away, and combines overlapping Microphonics™ for detection around obstructions, so total coverage of the room is always maintained no matter how cluttered the space becomes. It is also used in corridors due to its ability to view up to 70 ft (21.34 m) for walking motions, or large open storage areas where obstructions may block the PIR's ability to view. For large spaces, multiple LS-WVPDT16 sensors may be wired together, or along with any other low voltage sensors.

Applications

- Small motion (e.g. hand movements) detection up to 40 ft (12.19 m).
- Large motion (e.g. walking) detection up to 70 ft (21.34 m).
- Designed for 8 to 10 ft (2.44 to 3.05 m) high mounting in room corner

Features & Benefits

- 100% Digital PIR Detection, Excellent RF Immunity
- 120° by 40 ft (12.19 m) Coverage for Small Motion
- Patented Dual Technology with PIR / Microphonics Detection
- Adjustable Time Delay
- Push-Button Programmable
- Convenient Test Mode
- No Field Calibration or Sensitivity Adjustments Required
- 100 hr Lamp Burn-in Timer

Product Specifications

Size _____ 3.0" H x 3.6" W x 1.75" D (7.62 cm x 9.14 cm x 4.45 cm)
 Weight _____ 5 oz
 Mounting _____ Directly to corner or to ceiling using LS-WVBR bracket
 Color _____ White
 Operative Voltage _____ 12-24 VAC/VDC
 Current Draw
 Standard _____ 4 mA
 With R option _____ 16 mA
 Dimming Load _____ Sinks < 20mA; ~40 Ballasts/Drivers @ .5mA each
 Rcmd. Power Pack _____ LS-PP20
 Approvals _____ RoHS compliant, Tile 24 Component

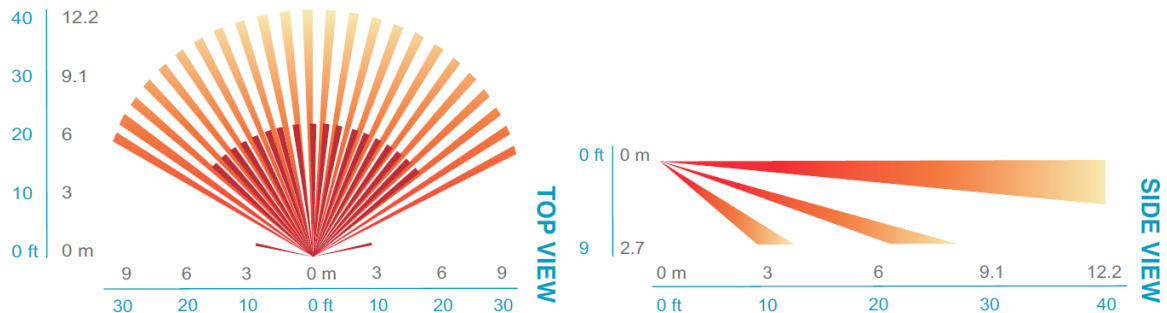
Model Selection

		LS-	WVPDT16	X	X	X	X
Wide View Sensor							
Relay	X = None R = Low Voltage Relay						
Photocell	X = None P = Photocell						
Temp/Humidity	X = Standard L = Low Temp/High Humidity						
Bracket Kit	X = None K = Sensor & LS-WVBR Bracket						

Coverage Pattern

Wide View Lens

- Small motion (e.g. hand movements) detection up to 40 ft (12.19 m).
- Large motion (e.g. walking) detection up to 70 ft (21.34 m).
- Designed for 8 to 10 ft (2.44 to 3.05 m) high mounting in room corner



Wiring (DO NOT WIRE HOT)

Standard Wiring

RED - Power Input (12-24 VAC/ VDC)

BLACK - Common

WHITE - Occupancy State (high VDC for occupied)

Photocell/Dimming Options (P)

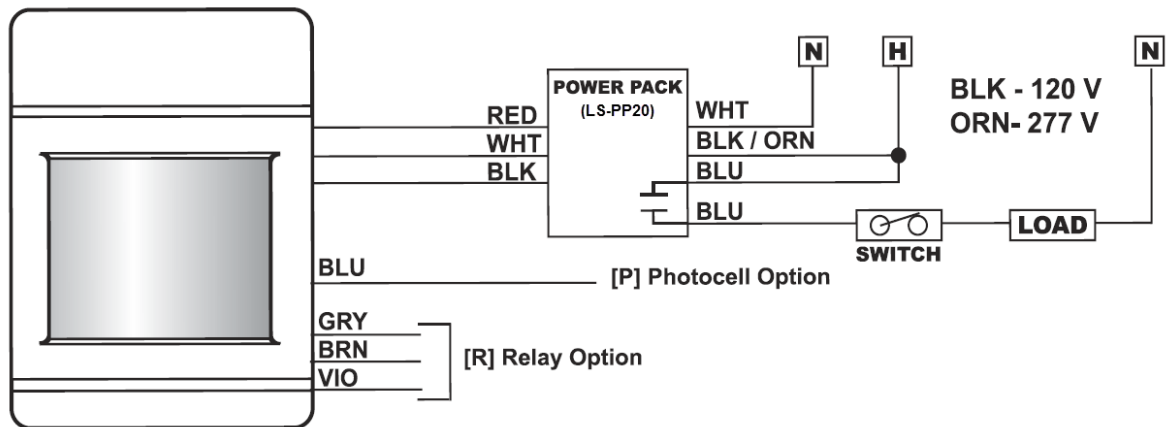
BLUE - Direct output to power pack for providing photocell control. Output is high VDC with occupancy & low light. For multi-level control, use two power packs and connect White wire to primary load and Blue to daylight load.

Relay Option (R)

GRAY / BROWN - Connected during occupied state

VIOLET / BROWN - Connected during unoccupied state

Note: Relay is energized during unoccupied state



Specifications subject to change without notice. Performance specifications are nominal and conform to generally acceptable industry standards. Manufacturer and/or Supplier shall not be liable for damages resulting from misapplication or misuse of these products. ECLYPSE, Distech Controls, and the Distech Controls logo are trademarks of Distech Controls Inc. All other trademarks are property of their respective owner. ©, Distech Controls Inc., 2017. All rights reserved.