



LS-PP20 Series

Power Pack



Overview

Power packs are the heart of the low voltage sensor system. An LS-PP20 Series power pack transforms Class I high voltage (120/277 VAC) to Class 2 15 VDC for powering remote sensors. The LS-PP20 and the LS-SP20 Series slave pack are also capable of switching lighting loads on and off using their internal relays. Class 2 wire leads connect to 18 to 22 AWG low voltage cable running to the sensors, making installation easy and clean. Power packs also have an elongated chase nipple that allows it to be mounted either directly through a ½ inch knockout into a junction box, or inside an adjacent box for meeting specific local code requirements in ceiling plenums.

Applications

- Power up to 14 sensors
- Dual-circuit control (with two LS-PP20s, one LS-PP20 2-pole power pack, or an LS-PP20 power pack and an LS-SP20 slave pack)

Features & Benefits

- Powers Low Voltage Sensors (LS-PP20/LS-PP20 2-Pole only)
- Self-Contained Relay(s) Switch Line Voltage Loads
- Relay Contact Protection
- Plenum Rated

Product Specifications

Size (not including chase nipple)

□ LS-PP20/LS-SP20 3.00" H x 2.25" W x 1.88" D (7.62 cm x 5.72 cm x 4.78 cm)

□ LS-PP20 2-Pole 4.13"H x 3.00"W x 1.88"D (10.49 cm x 7.62 cm x 4.78 cm)

Weight 6 oz

Mounting 1/2" knockout

Color Black

Operating Voltage 120, 240, 277

Relay Current Requirements 40 mA

Switching Load 20Amps/Pole

Output Voltage/Current 15 VDC, 150 mA (LS-PP20/LS-PP20 2-Pole only)

Motor Load 1 HP

Approvals RoHS compliant, Tile 24 System Component

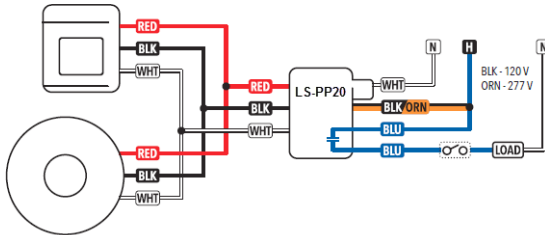
Model Selection

LS-PP201P2X	Power/Relay Pack, 1 pole, 120/277VAC
LS-PP202P2X	Power/Relay Pack, 2 pole, 120/277VAC
LS-SP201P2X	Secondary Relay Pack, 1 pole, 120/277VAC

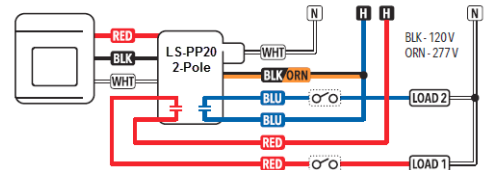
Wiring (DO NOT WIRE HOT)

Note: The Power Pack must be connected to a single phase Hot and Neutral System. For 120 VAC, connect the Black wire to Hot, White wire to Neutral, and Cap off the Orange/Red wire. For 240-277 VAC, connect the Orange to Hot, White to Neutral, and Cap off the Black Wire. Never connect both the Black and Orange wires! Low Voltage wire can be 18 to 22 AWG; shielding is not necessary. Class II terminal block on PP20 2P only accepts one conductor, 18 AWG stranded or smaller, per terminal. The relays on PP20 2P are isolated allowing for connection of 120 VAC on one relay, and 277 VAC on the other.

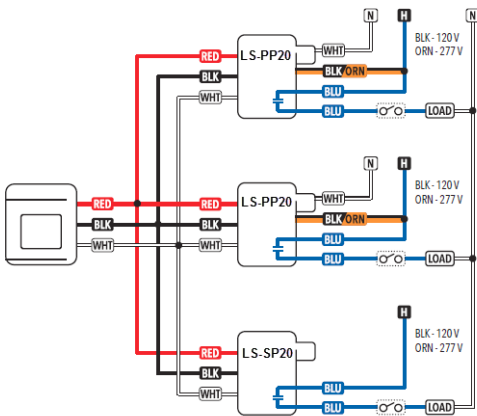
Multiple Sensors Controlling One Circuit



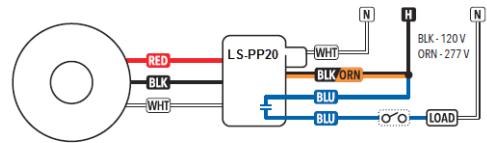
One Sensor Controlling Two Circuits



Wiring Multiple Power Packs Together



One Sensor Controlling One Circuit



Specifications subject to change without notice. Performance specifications are nominal and conform to generally acceptable industry standards.

Manufacturer and/or Supplier shall not be liable for damages resulting from misapplication or misuse of these products.

ECLYPSE, Distech Controls, and the Distech Controls logo are trademarks of Distech Controls Inc. All other trademarks are property of their respective owner.

©, Distech Controls Inc., 2017. All rights reserved.