



GS-TR5000 Series

Catalytic Bead Combustible Gas Detectors



Overview

The GS-TR5200 is a high-accuracy catalytic bead gas sensor/transmitter that can be used to detect LEL (Lower Explosive Limit) concentrations of a wide range of combustible gases. Transmitters can be factory-calibrated to the specific combustible gas of interest.

Applications

- Vehicle maintenance
- Gas storage

Features & Benefits

- Catalytic Bead Sensor
- Linear Output
- Rugged enclosure
- Gas specific sensor
- Calibrated to specific target gas and desired LEL level.

Model Selection

GS-TR5200	Catalytic Bead Combustible Detector with NEMA 3 Enclosure
GS-TR5500	Catalytic Bead Combustible Detector with Explosion-Proof Enclosure

Product Specifications

General

Sensor Type	Catalytic Bead With Temperature Compensation
Gases Measured	All Combustibles (Specify Target Combustible Gas When Ordering)
Approval	
<input type="checkbox"/> GS-TR5200	CSA/NRTL
<input type="checkbox"/> GS-TR5500	CSA/UL CL.1 Div.1
Sensing Method	Diffusion
Response	0-5% Methane (0-100% LEL)
Response Time	T50 = 10 seconds
Minimum Detectable	2% LEL
Resolution	1% LEL
Sensor Type	Catalytic Bead
Sensor Rated Life	3 years
Temp Operating Conditions	-13 to 140° F (-25 to 60°C),
Humidity Operating Conditions	0 to 90% RH
Storage Conditions	-40 to 158°F (-40 to 70°C)

Performance

Repeatability	+/- 5% of measured value
Linearity	+/- 5% of measured value
Recommended Calibration	6 months
Response Time	T90 = <1 minutes (diffusion)
Warm Up Time	< 2 minutes

Power

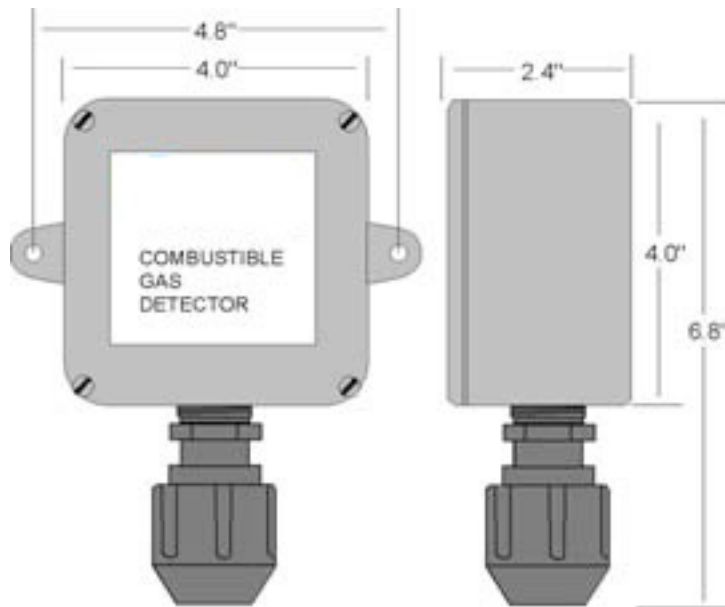
Input	12-30 VDC,
Power Consumption	20 mA

Outputs

Adjustment	Span & Zero
Output Signal	4 - 20 mA

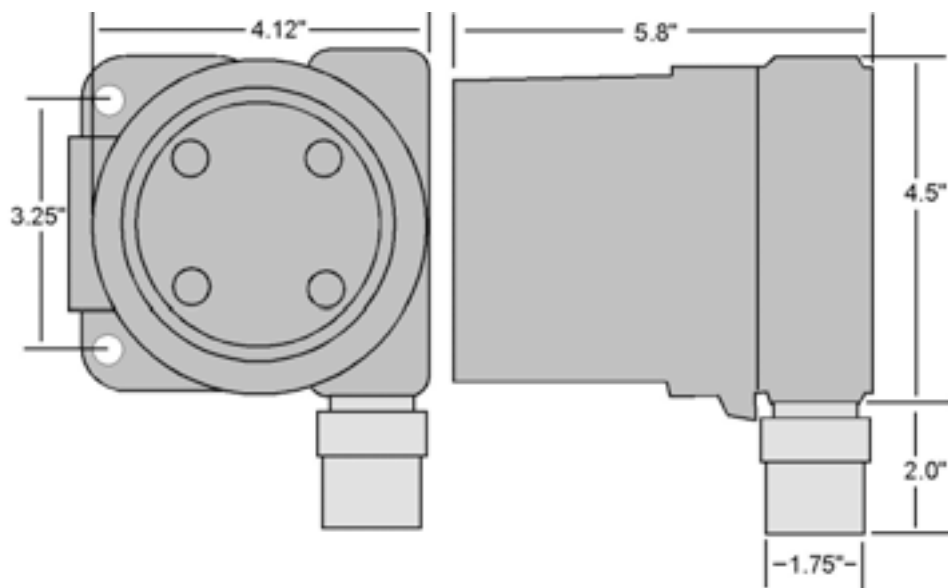
GS-TR5200

NEMA-3R enclosure



GS-TR5500

Explosion Proof enclosure



Specifications subject to change without notice.
Distech Controls, and the Distech Controls logo are trademarks of Distech Controls Inc. All other trademarks are property of their respective owner.
©, Distech Controls Inc., 2015 to 2017. All rights reserved.