



GS-CMB Series

Basic CO Sensors



Overview

The GS-CMB Series are carbon monoxide gas detectors. They use an electrochemical sensor for reliability and accuracy in even the most critical applications. The standard product features a 2-wire loop-powered output. Optionally, the device may be configured with an alarm relay which operates in 3-wire sourcing mode and/or with Modbus communications.

Applications

- Monitor CO levels in parking garages
- Inspect greenhouse gases
- Combustion monitoring

Features & Benefits

- Economical
- Easily calibrated in the field
- Proven long term stability and performance
- Field replaceable calibrated sensor module
- Configurable for Modbus communication protocols

Model Selection

GS-CMBRXX	Space CO sensor, 5%, 0-300ppm, 2-wire 4-20mA output.
GS-CMBRMX	Space CO sensor, 5%, 0-500ppm, Modbus.
GS-CMBRXXR	Space CO sensor, 5%, 0-300ppm, 2-wire 4-20mA output, relay.

Accessories

GS-CMFCAL	Factory calibration for Carbon Monoxide Sensors
GS-CMNIST	Calibration certificate for Carbon Monoxide Sensors
GS-CMBRXXCAL	Calibration for Basic CO Sensors (GS-CMBRXX Series)

Note: Calibration certificates must be purchased at the time of purchasing the relative sensors.

Product Specifications

Sensor Type	Electrochemical
Sensor Agency Approvals	Sensor is a UL Recognized Component for ANSI/UL-2034, UL-2075, E240671
Measurement Range	Analog: 0-300 PPM Modbus: 0-500 PPM
Accuracy	±5 PPM or 5% of reading for 0-300 PPM (whichever is greater)
Accuracy rated	0° to 50°C (32° to 122°F), 15 to 95%
Life Expectancy	5-7 years in air
Typical Coverage Area	700 m ² (7500 ft ²) or 15m (50ft) radius
Operating Conditions	-20° to 50°C (-4° to 122°F), 15 to 95% RH
Sample Method	Diffusion
Stability	<5% signal loss/year
Response Time	<35 seconds for 90% step change
Power Supply	24 Vdc ±20% or 24 Vac ±10% (non-isolated half-wave rectified) Modbus: 24 Vdc ±20%
Consumption	20 mA max. with Relay option: 50 mA max. Modbus: 35 mA max.
Input Voltage Effect	Negligible over specified operating range
Protection Circuitry	Reverse voltage protected and output limited
Output Signal	4-20 mA loop-powered, 4-20 mA sourcing with relay option
Output Drive at Capability	550 ohms max. @ 24 Vac/Vdc
Wiring Connections	Screw terminal block (14 to 22 AWG)
External Dimensions	71 x 104 x 48 mm (2.8" w x 4.1" h x 1.9"d)
Enclosure Ratings	ABS - UL94-V - IP65, (NEMA 4X)

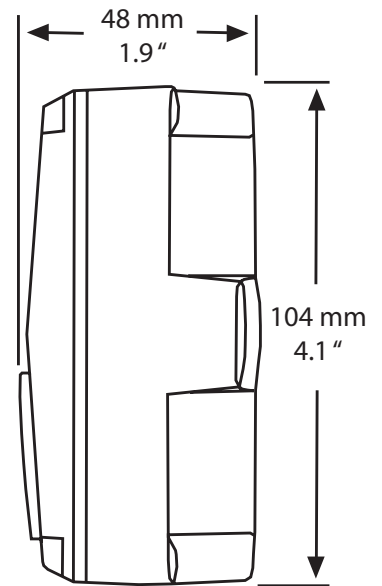
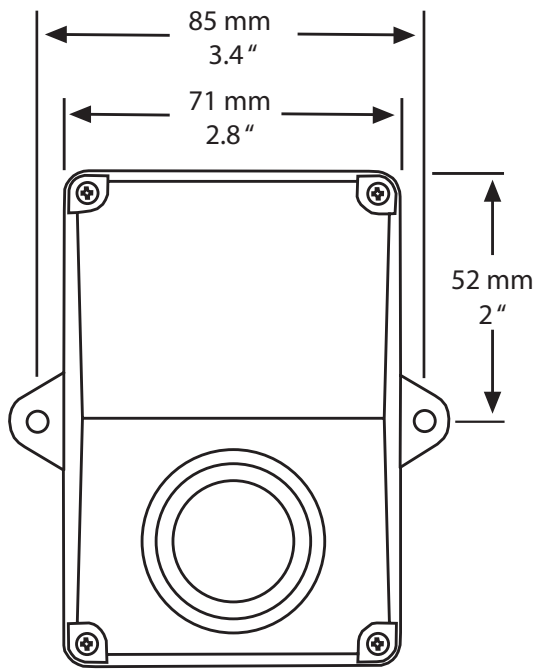
Optional Relay Output

- Form C contact (N.O. and N.C.) - Not available with Modbus Communications
- 5 amps @ 250 Vac, 5 amps @ 30 Vdc, p.f. = 1
- Trip Point - 25, 60 or 150 PPM, jumper selectable
- Hysteresis - 3% or 9 ppm

Optional Modbus

- Hardware 2-wire RS-485
- Software Native ModBus MS/TP protocol (RTU)
- Baud Rate 9600
- Slave Address Range Locally set to 1-255
- Parity None
- Stop Bits 1
- CRC A001 (CRC-16 reverse)

Dimensions



Specifications subject to change without notice.
Distech Controls, and the Distech Controls logo are trademarks of Distech Controls Inc. All other trademarks are property of their respective owner.
©, Distech Controls Inc., 2015 to 2017. All rights reserved.