



GS-AQR Series

Room Air Quality Sensors



Overview

The GS-AQR, Indoor Air Quality Sensor Series uses an advanced MEMS metal oxide semiconductor sensor to detect poor air quality. The sensor reacts quickly to detect a broad range of VOCs such as smoke, cooking odors, bio-effluence, outdoor pollutants and from human activities. The sensor captures all VOC emissions that are completely invisible to CO₂ sensors. The GS-AQR Series provides a linear analog signal output of 0-5 or 0-10 Vdc for connection to a building automation system as well as an analog stepped output of 0-10Vdc. Optional features such as a temperature sensor, manual override and adjustable relay output are available.

Applications

- Schools
- Office buildings
- Parking garages
- Washroom ventilation fans
- Cigarette smoke detectors

Features & Benefits

- True Air Quality Monitor
- Microprocessor based controller
- Analog, Stepped & Relay Output options
- 10 bit resolution
- Able to detect one cigarette in 15 m³ (530 cu. ft.) room

Model Selection

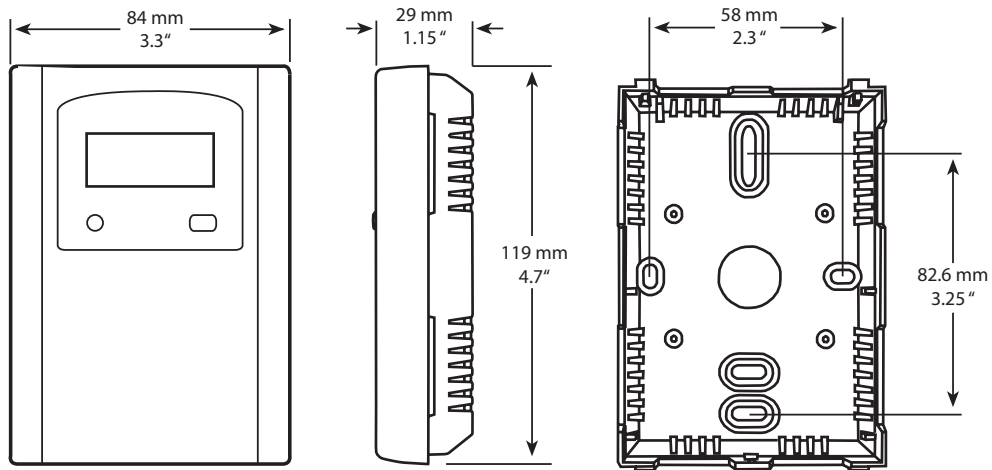
		GS-	AQR	X	X	X	X	X
Sensor	AQR = Room Air Quality Monitor, 0-2000ppm CO ₂ Equivalent							
LCD Display	D = Viewable LCD Display							
LED Indicator, Tri-Color	I = Viewable LED Indicator							
Optional Temperature Sensor	T = Temperature sensor (10kΩ, Type II thermistor)							
Override Option	O = Override switch (momentary)							
Relay Option	R = Relay output							

Product Specifications

Sensing Technology	MEMS metal oxide semiconductor VOC sensor
Measurement Range	450-2000 ppm CO ₂ equivalent or 0-100% (menu selectable)
Drift Compensation	Automatic baseline correction
Power Supply	20-28 Vac/dc (non-isolated half-wave rectified)
Consumption	35 mA max @ 24 Vdc
Input Voltage Effect	Negligible over specified operating range
Protection Circuitry	Reverse voltage protected, over voltage protected
Operating Conditions	0-50 °C (32-122 °F), 5-95 %RH non-condensing
Linear Output Signal	0-5 / 0-10 Vdc (menu selectable) = 0-2000 ppm CO ₂ equivalent
Analog Stepped Output Signal	Three steps representing Good, Fair and Poor air quality (each step is independently adjustable from 0-10 Vdc)
Output Drive Capability	10 KΩ minimum
Programming and Selection	Via internal push-buttons and LCD menu
Warm-up Time	5 minutes
LCD Resolution	1 ppm / 1 %
LCD Size	1.4" w x 0.6" h (35 x 15 mm) alpha-numeric 2 line x 8 characters LCD Backlight Enable or disable via menu LED Display Tri-color (Good = Green, Fair = Blue, Poor = Red), enable or disable via menu
Wiring Connections	Screw terminal blocks (14 to 22 AWG)
Enclosure	White ABS, IP30 (NEMA 1)
Dimensions	84 W x 119 H x 29 D mm (3.3"W x 4.7"H x 1.15"D)
Weight	122 gm (4.3 oz)
Optional Override Switch	Front panel switch with FET output, 30 Vdc @ 50 mA max
Optional Relay Output	Form A contact (N.O.) 2 Amps @ 140 Vac, 2 Amps @ 30 Vdc (trip point and hysteresis set via menu)
Temperature Sensor	
Type ¹	10kΩ NTC thermistor, Type 2
Accuracy	±0.2°C; ±0.36°F

1. Temperature sensor type stated is standard. Other temperature sensor types are available.

Dimensions



Specifications subject to change without notice.
Distech Controls, and the Distech Controls logo are trademarks of Distech Controls Inc. All other trademarks are property of their respective owner.
©, Distech Controls Inc., 2015 to 2017. All rights reserved.