



# PS-2LSP Series

Liquid Static Pressure Transmitters, Nema 4X



## Overview

The static-pressure transmitter is designed with a single remote sensor that enables it to accept high pressure in several ranges up to 500 PSI, 35 Bar, or 3500 kPa. All models are rated for overload pressure two times (2X) the maximum full scale range, and burst pressure of five times (5X) the maximum full scale range.

## Applications

- Monitor pumps, filters and chillers
- HVAC Systems
- Refrigeration Systems

## Features & Benefits

- Economical
- Ease of installation
- Integrated LCD display
- Unidirectional or bidirectional pressure range selection switch
- Push-button and remote zeroing terminal
- Field-selectable pressure ranges and output signal types
- High start-up accuracy

# Model Selection

	PS-	2LSP	0050PS	P5	D
Sensor	2LSP = Liquid static pressure, Nema 4X enclosure				
Pressure Range	0050P = 5, 10, 25 and 50PSI 0100P = 10, 20, 50 and 100PSI 0250P = 25, 50, 125 and 250PSI 0500P = 50, 100, 250 and 500PSI 0005B = 0.5, 1.0, 2.5 and 5.0Bar 0007B = 0.7, 1.4, 3.5 and 7.0Bar 0010B = 1, 2, 5 and 10Bar 0035B = 3.5, 7, 17.5 and 35Bar 0500K = 50, 100, 250 and 500kPa 0700K = 70, 140, 350 and 700kPa 1000K = 100, 200, 500 and 1000kPa 3500K = 350, 700, 1750 and 3500kPa				
Cable Length	P5 - 5' (1.5m), FT6 plenum rated cable P0 - 10' (3m), FT6 plenum rated cable				
Display	D = Integrated display				

# Product Specifications

## Environmental

Operating temperature	0°C to 50°C; 32°F to 122°F
Storage temperature	0°C to 50°C; 32°F to 122°F
Ambient humidity	10 to 95% Non-condensing

## Pressure Transmitter

Pressure Ranges	4 per model (menu selectable)
Line Pressure	Max. line pressure is the highest of the selectable ranges on each model
Proof Pressure	Max. 2X highest range per model
Burst Pressure	Max. 5X highest range per model
Accuracy	± 1% Full scale of selected range (range 4 is ±2%)
Pressure Cycles	>100 million
Surge Damping	1 to 60 seconds averaging (menu-selectable)
Sensor Operating Range	-40°C to 85°C; -40°F. to 185°F.
Stability	±0.25% typical (1 year)
Zero Adjust	Push-button auto-zero and digital input
Media Compatibility	17-4 PH Stainless Steel

## Enclosure

Material	Grey polycarbonate with gasket, UL94-V0, IP65 (NEAMA 4X)
Dimensions	112.5W x 116.5H x 53.7D mm (4.43" x 4.59" x 2.11")
Electrical Conduit Connection	½" NPT knockout for conduit connections an M16 adapter and cable gland in Europe
Shipping Weight	750g (26.5oz) Including remote cable and sensor

## Electrical

Pressure Connections	1/4" NPT male
Remote Sensor Cable	P5 – 5 ft (1.5m), FT6 plenum rated cable P0 – 10 ft (3m), FT6 plenum rated cable
Power Supply	24 Vac/dc ±10% (non-isolated half-wave rectified)
Wiring Connections	14 to 22 AWG (2.08 to 0.326 mm <sup>2</sup> ) screw terminal block
Power Consumption	75 mA max @ 24Vdc
Output Signals	3-wire transmitter; switch-selectable 4-20mA active (sourcing), 0-5 or 0-10 Vdc
Output Drive	500 ohms max for current output 10k ohms min for voltage output
Protection Circuitry	Reverse voltage protected, transient protected

## LCD Display

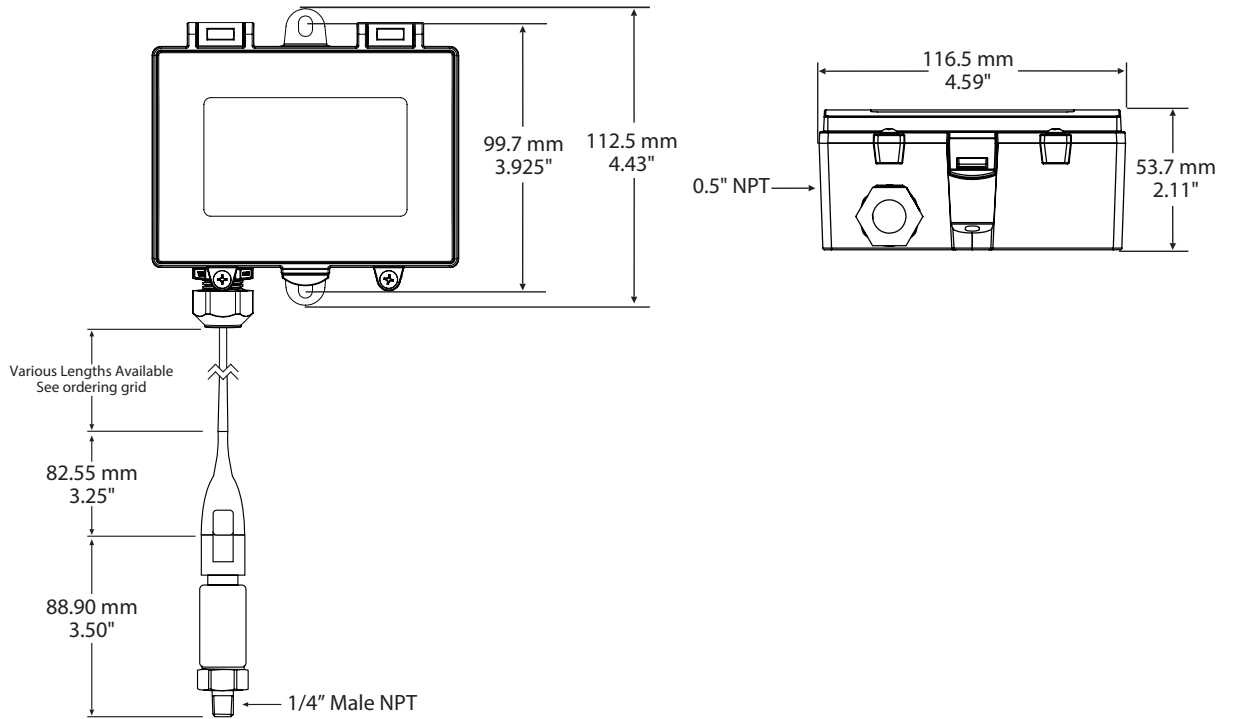
Display Size	35 mm x 15 mm (1.4" x 0.6")
Resolution	1 psi
Type	Alpha-Numeric 2 line x 8 Character

## Agency Approvals

Material <sup>1</sup>	UL94-V0
Country of Origin	Canada

All materials and manufacturing processes comply with the RoHS directive

# Dimensions



Specifications subject to change without notice.  
Distech Controls, and the Distech Controls logo are trademarks of Distech Controls Inc. All other trademarks are property of their respective owner.  
©, Distech Controls Inc., 2019. All rights reserved.