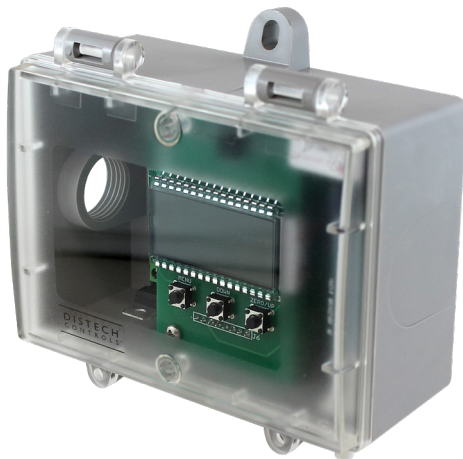




PS-2AULDP Series

Ultra Low Air Differential Pressure Transmitters, Nema 4X



Overview

The PS-2AULDP Series are ultra-low-pressure transmitters. These devices can be used to measure differential pressure between an area and a reference space. It combines precision high sensitivity silicon sensing capabilities and the latest in ASIC technology with Dynamic Self Compensation. Standard features include: Bi-directional pressure ranges, selectable output, and on-board auto-zeroing. A built-in alarm relay output is optional. The unit may be mounted in any position but typically is installed on a vertical surface with the pressure ports on the right and the cable entrance on the left. The enclosure has a preformed 1/2" NPT knockout for conduit connections, and an M16 adapter and cable gland in Europe.

Applications

- Process controls
- Used for monitoring airflow
- Used for monitoring pressure drop across filters
- Used for monitoring building static pressure

Features & Benefits

- Economical
- Optional relay output
- Integrated LCD
- Accurate pressure monitoring for increased comfort
- Nema 4X enclosure
- Field selectable pressure ranges and output signals

Model Selection

PS-2AULDP01WCDX	Ultra low air differential pressure transmitter - 1% accurate, ranges with a span of 1" (250Pa) and less, with LCD.
PS-2AULDP00WCDX	Ultra low air differential pressure transmitter - 1% accurate, ranges with a span of 0.25" (60Pa) and less, with LCD.
PS-2AULDP01WCDR	Ultra low air differential pressure transmitter - 1% accurate, ranges with a span of 1" (250Pa) and less, with LCD and alarm relay.
PS-2AULDP00WCDR	Ultra low air differential pressure transmitter - 1% accurate, ranges with a span of 0.25" (60Pa) and less, with LCD and alarm relay.

Accessories

Pitot Tubes for Flow

PS-PF006XXXX	150 mm (6") stainless pitot tube for flow installations
PS-PF012T072	305 mm (12") stainless pitot tube for flow installations
PS-PF006T072	Two (2) 150 mm (6") stainless pitot tubes for flow installations with 1800 mm (6') pneumatic tubing
PS-PF012T072	Two (2) 305 mm (12") stainless pitot tubes for flow installations with 1800 mm (6') pneumatic tubing

Pitot Tubes for Static Pressure

PS-PS006XXXX	150 mm (6") stainless pitot tube for static installations
PS-PS012XXXX	305 mm (12") stainless pitot tube for static installations
PS-PS006T036	One (1) 150 mm (6") stainless pitot tube for static installations with 900 mm (3') pneumatic tubing
PS-PS012T036	One (1) 305 mm (12") stainless pitot tube for static installations with 900 mm (3') pneumatic tubing

PS-PAFS Series

Pick-Up Ports

PS-RPSP	Space enclosure pick-up port
PS-RMPP	Stainless steel plate pick-up port
PS-OPSP	Outside air pick-up port

Calibration Certificates

PS-NIST	NIST Calibration Certificate
---------	------------------------------

Note: Calibration certificates must be purchased at the time of product purchase.

Product Specifications

Environmental

Operating Temperature 0°C to 60°C; 32°F to 140°F
Storage Temperature -40°C to 95°C; -40°F to 203°F
Relative Humidity 0 to 90% Non-condensing

Enclosure

Material Polycarbonate with gasket, UL94-V0, IP65 (NEMA4X)
Color Grey
Dimensions (overall) 116.5 mm x 112.5 mm x 53.7 mm (4.585" x 4.430" x 2.110")
Shipping Weight 0.57 lbs (260 g)
Media Compatibility Dry inert gas
Wiring Connections Screw terminal block (14 to 22 AWG / 2.08 mm² to 0.326 mm²)
Electrical Conduit Connection ½" NPT knockout for conduit connections
an M16 adapter and cable gland in Europe
Measurement Type Differential (two ports)
Pressure Connections Barbed ports 1/8" to 3/16" (3.175 mm to 4.76 mm) ID flexible tube

Display

LCD Display 3 ½ digits, 38.1 x 16.5 mm (1.50 x 0.65")
11.43 mm (0.45") digit height
Backlight Enable/disable (switch selectable)

Options

Relay Output N.O. contact, 2 Amps @ 120Vac or 30Vdc
Relay Trip Point Upper and lower alarms - Adjustable over the pressure range
Relay Delay 0 to 10 minutes, via keypad

Electrical

Input Power 24 Vac/Vdc, ±10%
User Selectable Output 4-20mA (3 wire),
0-5Vdc
0-10Vdc (3 wire)
Power Consumption 52mA max
Calibration Accuracy ±1% F.S of selected range
Thermal Effects ± 2% F.S of selected range max 10 to 40°C
(50 to 104°F)
Stability ±1% F.S. (1 year)
Input Voltage Effects Negligible over specified operating range
Current Drive Capability 750 ohms max
Voltage Drive Capability 2kΩ minimum for voltage
Protection Circuitry Reverse voltage protected and output limited
Zero Adjust Pushbutton or digital input auto-zero
Response Time Analog model - 5 to 30 seconds, switch selectable

Pressure

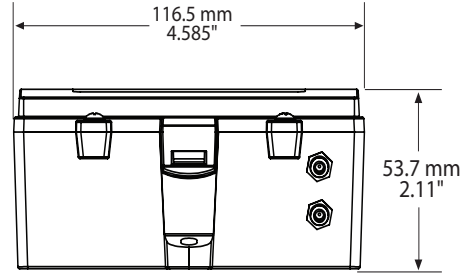
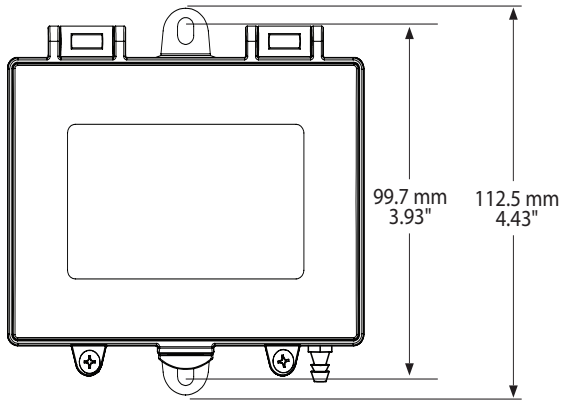
Proof Pressure 100 "WC (24.9 kPa) for PS-2AULDP01 Series
40 "WC (9.96 kPa) for PS-2AULDP00 Series
Burst Pressure 200 "WC (49.8 kPa) for PS-2AULDP01 Series
80 "WC (19.9 kPa) for PS-2AULDP00 Series

Agency Approvals

Material¹ UL94-V0
Country of Origin Canada

1. All materials and manufacturing processes comply with the RoHS directive

Dimensions



Specifications subject to change without notice.
Distech Controls, and the Distech Controls logo are trademarks of Distech Controls Inc. All other trademarks are property of their respective owner.
©, Distech Controls Inc., 2019. All rights reserved.