



LS-PIR Series

DALI Sensors



Overview

Intelligent sensors which connect to the DALI line directly, offering PIR and lux level.

Applications

- For use with DALI-2 application controllers

Features & Benefits

- Easy addressing and commissioning through feedback LED
- Light control based on ambient light and motion detection
- Motion detection range 360° max. range 8m
- Adjustable motion sensitivity and light-level set point
- Multi-master compatible / multiple control devices per line
- Available as surface and recessed mount and as a plug-in module
- 8m model suitable for high ceilings (up to 10m) and warehouses
- Compliant with DALI and DALI-2
- Compliant to IEC 62386-303 and 62386-304

Model Selection

LS-PIR-5m	DALI-2 PIR sensor 5 m
LS-PIR-8m	DALI-2 PIR sensor 8 m
Accessories	
LS-PIR-RS-KIT	PIR sensor recessed mount kit
LS-PIR-CD-KIT	PIR sensor conduit mount kit
LS-PIR-SM-KIT	PIR sensor surface mount kit

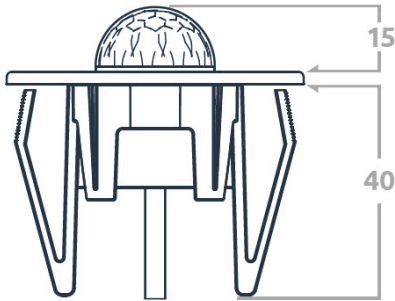
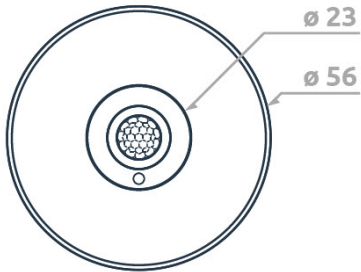
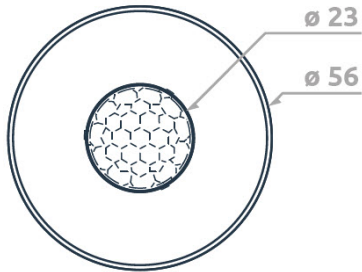
Product Specifications

Supply	DALI
Control system	DALI-2
Supply current	8mA Max consumption when LED is ON
Lens	Fresnel
Sensors	PIR, ambient light, colour
Wiring	Flylead
Operating temperature	0 to 45°C
Material	PC (body)
Ingress protection	IP20
Compliance standards:	
	IEC 61347-2-11
	CISPR 15
	EN 55015
	IEC 62386-303
	IEC 62386-304

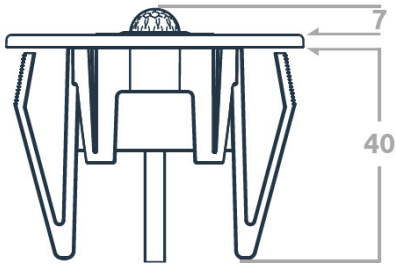
Usage

Ambient light level sensing	Measurements between 0 - 10,000 Lux
	Set points and trigger levels controlled by DALI application controller
Time-out actions and events	Configuration dependent on DALI application controller

Dimensions



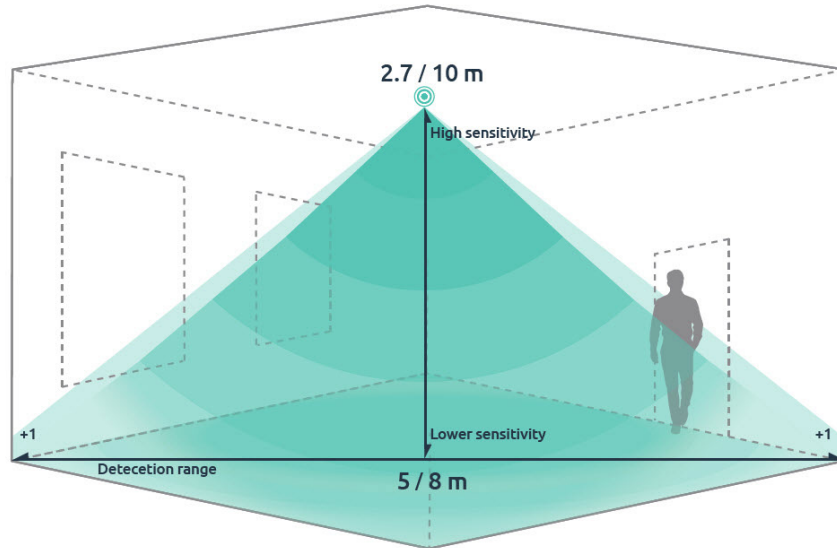
Cut out $\varnothing 44 - 45$ mm



Cut out $\varnothing 44 - 45$ mm

Detection Pattern

Order Code	Range	Mounting Height
LS-PIR-5m	5m	2.7m
LS-PIR-8m	8m	10m



NOTES:

The sensor must not be connected to any mains. It is powered directly from the DALI line.

The DALI line is not SELV. It must be treated like LV mains and treated with the same precautions and wiring regulations.