



DA-020S024Px Series

20Nm Spring Return Damper Actuator - Proportional Control



Applications

- Constant or variable air volume installations for the control of HVAC dampers.

Overview

The 20Nm spring return electric damper-actuator series has been specially developed for the motorized operation of safety air dampers, (anti-icing) in air conditioning systems, smoke evacuation dampers and sealing dampers. The compact design and universal adapter fitted with limitation of rotation angle make this actuator highly versatile.

When the control signal is applied, the actuator drives the damper to the operational position, while evenly tensioning the integrated spring. After a power failure the stored energy in the spring immediately brings the damper to the safety position. Manual operation is automatically cancelled when the actuator is in electrical operation.

Features & Benefits

- 0(2)..10 V or 0(4)..mA control signal
- Up to 5 actuators in parallel operation possible
- Electrical connection with halogen-free cable
- Simple direct mounting with universal adapter on Ø 12 mm to 19 mm shaft or 10-12-14 mm square shaft. An optional M9220-600 Jackshaft Coupler Kit is available for 19 to 27 mm round shafts, or 16, 18, and 19 mm square shafts
- 80 mm min shaft length
- Tandem Operation possible
- Limitation of rotation angle
- Manual positioning with crank handle
- 2 auxiliary switches, 1 adjustable
- Automatic shut-off at end position (overload switch)
- Energy saving at end positions
- Actuators available with 1 m halogen-free cable
- Devices meet CE requirements
- Override Control

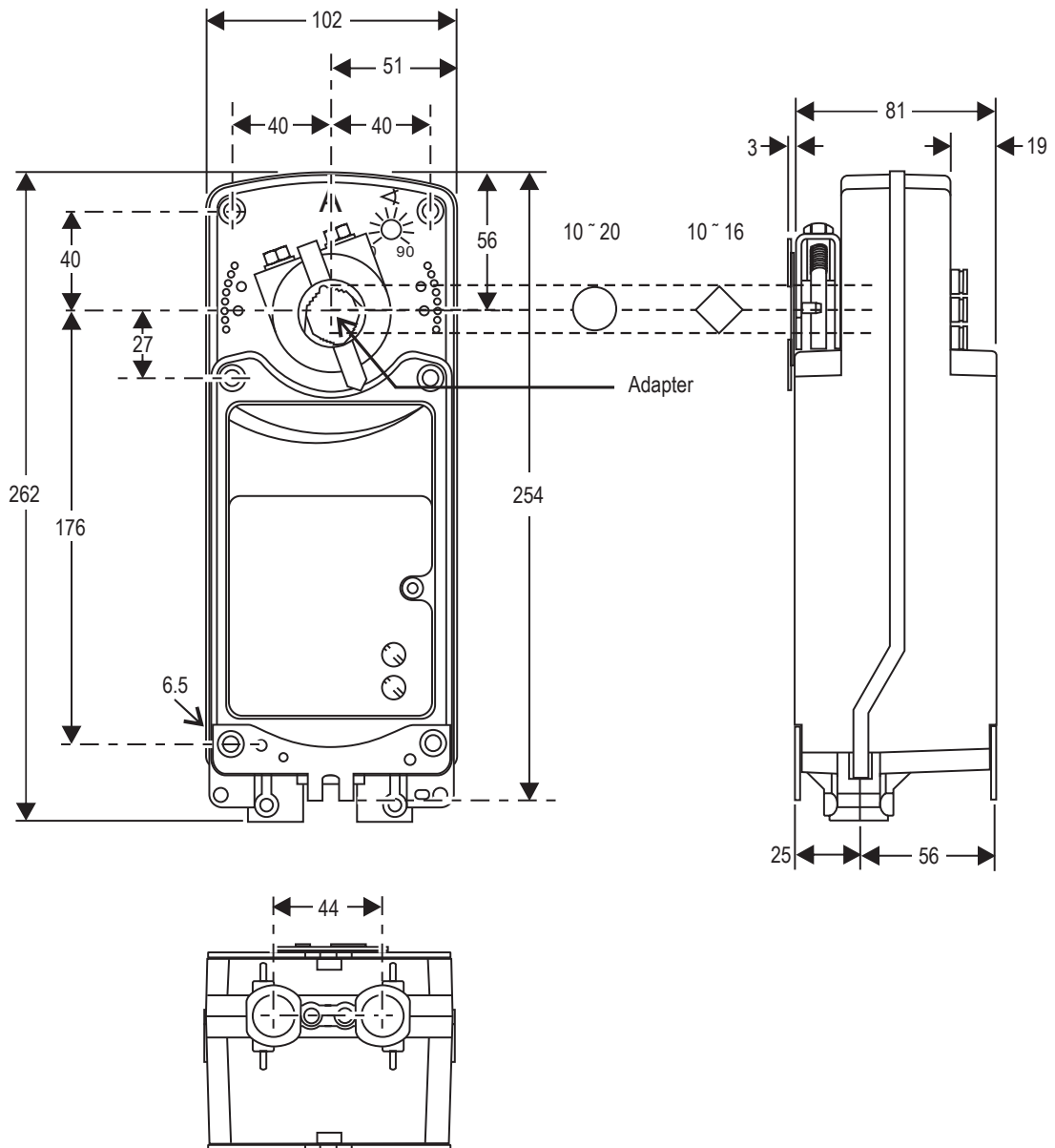
Model Selection

Product Code	Power Supply	Control Type	Description
DA-020S024PX	24 Vac/Vdc	Proportional	20Nm, spring return actuator
DA-020S024P2	24 Vac/Vdc	Proportional	20Nm, spring return actuator , 2 Auxiliary Switches

Accessories (order separately)

Product Code	Description
M9000-158	Tandem Mounting Kit used to mount two 20Nm Proportional Electric Springback Actuators in tandem to deliver twice the torque

Dimensions (in mm)



Product Specifications

Torque	20 Nm
Damper area	4.0 m ²
Running time motor	150 sec.
	90 seconds in Calibration or Override Mode
Running time spring return	26 sec.
Supply voltage	AC/DC 24V
Frequency	50-60 Hz
Power consumption	
<input type="checkbox"/> Running	15.5 VA (AC); 6.7 W (DC)
<input type="checkbox"/> At end position	7.7 VA (AC); 2.9 W (DC)
Dimensioning	20 VA
Control signal	DC 0(2)...10 V or 0(4)...20 mA
Working area Y	Not adjustable
Position signal	DC 0(2)...10 V
Angle of rotation	
<input type="checkbox"/> Working range	90°
<input type="checkbox"/> Limitation	0° to 30° and 90° to 60°
Auxiliary switches	
<input type="checkbox"/> S1 setting range	10° fix
<input type="checkbox"/> S2 setting range	25° to 90° adjustable
Cable	
<input type="checkbox"/> Motor	4-wire 1-2-3-4
<input type="checkbox"/> Switches	6-wire 21-22-23-24-25-26
Lifetime	60,000 rotations
Noise level	55 dB(A)
Protection class	II
Degree of protection	IP 54
Mode of action	Type1
Ambient conditions	
<input type="checkbox"/> Operating temperature	-40 to +55°C / IEC 721-3-3
<input type="checkbox"/> Storage temperature	-65 to +85°C / IEC 721-3-2
<input type="checkbox"/> Humidity	5 to 95 %, non condensing
Service	Maintenance-free
Weight	2.9 kg
Compliances	CE certification
	EMC Directive and Low Voltage Directive compliant

Specifications subject to change without notice.
ECLYPSE, Distech Controls, and the Distech Controls logo are trademarks of Distech Controls Inc. All other trademarks are property of their respective owner.
©, Distech Controls Inc., 2017. All rights reserved.