

EC-Remote Series

Remote controls for
personalizing environmental
parameters



Overview

The EC-Remote Series remote controls allow users to remotely manage all the comfort parameters of a room: lighting, shades / sunblinds, temperature, fan speed and occupancy.

These technologies can be linked to infrared accessories such as multi-sensors, receivers, etc. The remote control sends commands to these accessories to control lighting, sunblind or HVAC controllers.

Features & Benefits

- HVAC, lighting and shades / sunblinds management from a single accessory
- Up to 8 lighting groups and 8 blinds groups handled simultaneously or separately

Model Selection

Examples: EC-Remote-IT

| Series | Data Transmission Technology | Temperature Feature | Color |
|-----------|------------------------------|---|----------------|
| EC-Remote | -I: Infrared | T: With Temperature ¹ , Wall-Mounted [blank]: Without Temperature | [blank]: White |

1. Models with Temperature are shipped with a wall-mounted stand.

Accessories

| Product Name | Description |
|--|--|
| EC-Remote Wall-mounted fixture (fixed remote control) | Wall-mounted fixture for fixed remote control. Models available in white (RAL 9010) or grey (RAL 7016). |
| EC-Remote Wall-mounted holder (removable remote control) | Wall-mounted holder for removable remote control. Models available in white (RAL 9010) or grey (RAL 7016), and holder available with magnets for removable remote control. |
| EC-Multi-Sensor Series | Line of in-ceiling multi-sensors. Models are available with presence detection, light sensor, temperature sensor, and infrared receiver. For ECB/ECL-PTU Series and ECB/ECL-VAV controllers. |

Product Specifications

Power Supply Input

| | |
|-----------------------------|---|
| Battery | 2 batteries, 1.5 V LR03 type |
| Indicative Battery Lifetime | 2 years (for 4 to 6 emissions per hour) |
| Sleep mode | 6 μ A |
| Emission | 35 mA |

Mechanical

| | |
|-------------------------|--|
| Material | Plastic |
| Color | White |
| Mechanical Protection | IP20 |
| Dimensions | 5.8 × 2.2 × 0.9" (148 × 58 × 25 mm) - see Figure 1 |
| Shipping Box Dimensions | 7.0 × 3.1 × 1.6" (178 × 81 × 42 mm) |
| Shipping Weight | EC-Remote-I: 0.2 lbs (0.10 kg) EC-Remote-IT: 0.26 lbs (0.12 kg) |

Environmental

| | |
|-----------------------|--------------------------------|
| Operating Temperature | 41°F to 113°F (+5°C to +45°C) |
| Storage Temperature | -4°F to 158°F (-20°C to +70°C) |
| Relative Humidity | 20% to 90% Non-condensing |

LCD Screen

| | |
|-------------------|---------------------------------------|
| Screen Dimensions | 1.18 × 1.18" (30 × 30 mm) |
| Display | 4 displays, 7 segments + 9 pictograms |

Keypad

| | |
|----------------|-----------|
| Material | Elastomer |
| Number of Keys | 9 keys |

Temperature Sensor

| | |
|----------|-------------------------|
| Type | 10 k Ω NTC |
| Accuracy | \pm 1°C ; \pm 1.8°F |

Infrared Reception:

| | |
|--|-------------|
| Range in direct sight with EC-Multi-Sensor Series: | 7 m (23 ft) |
|--|-------------|

Dimensions

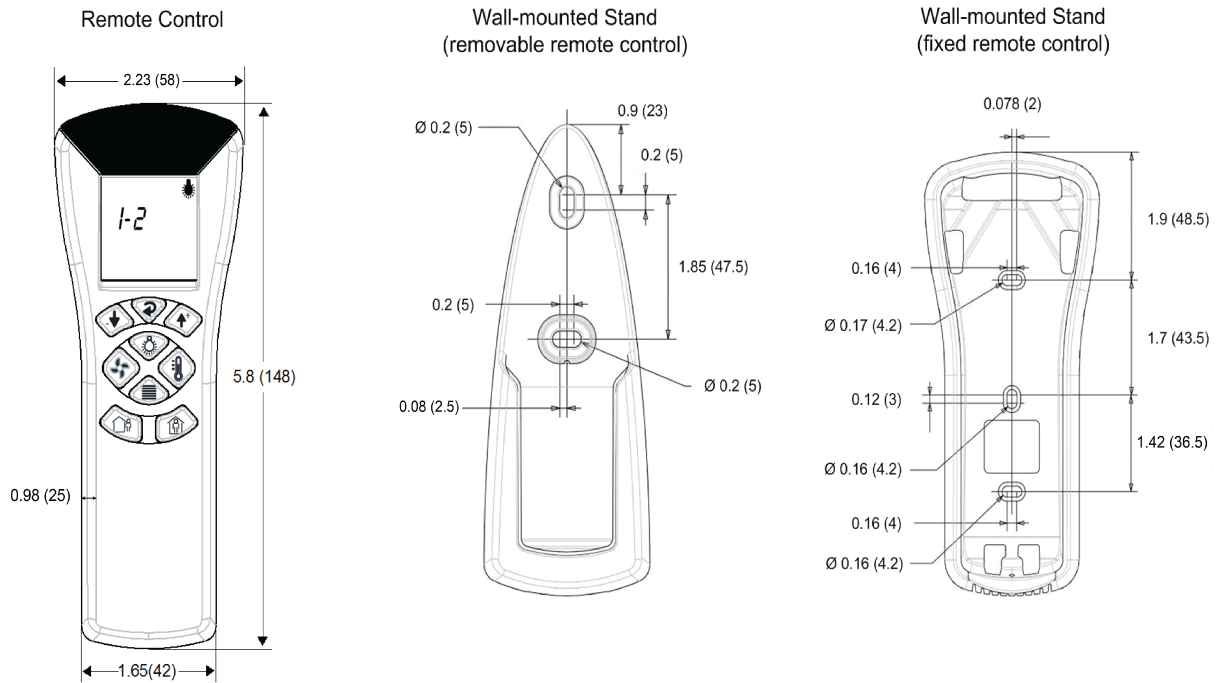


Figure 1: EC-Remote Dimensions

Specifications subject to change without notice.

ECLYPSE, Distech Controls, the Distech Controls logo, EC-Net, Allure, and Allure UNITOUCH are trademarks of Distech Controls Inc. BACnet is a registered trademark of ASHRAE; BTL is a registered trademark of the BACnet Manufacturers Association. The Bluetooth™ word mark and logos are registered trademarks owned by Bluetooth SIG, Inc. and any use of such marks is under license. All other trademarks are property of their respective owners.

©, Distech Controls Inc., 2015 - 2019. All rights reserved.

Global Head Office - 4205 place de Java, Brossard, QC, Canada, J4Y 0C4 - EU Head Office - ZAC de Sacuny, 558 avenue Marcel Mérieux, 69530 Brignais, France