

EC-Multi-Sensor-BLE



Overview

The EC-Multi-Sensor-BLE is a compact, "5-in-1" communicating device. With just one wire and one connection, this compact device effectively combines (1) a motion detector, (2) a light sensor, (3) a temperature sensor, and (4) a *Bluetooth*® low energy technology transceiver for the wireless control of all comfort parameters (HVAC, lighting, sunblinds) from *my* PERSONIFY mobile app or with the UNIWAVE series. The EC-Multi-Sensor-BLE also integrates beacon technology that can be used in solutions such as indoor positioning systems (IPS).

The sensor can be directly connected to an ECLYPSE™ Series controller or to an expansion module with a digital RJ-45 link or daisy-chained using an ECx-Subnet-Adapter. It can be used alone, together with the *my* PERSONIFY mobile app, or with the UNIWAVE Series.

Features & Benefits

- Bi-directional communication between the Bluetooth low energy technology transceiver and a mobile application.
- A compact style with clean lines and a slim profile easily blends in when installed in any setting
- Multi-sensing capabilities (luminosity, motion sensing, and temperature) and Bluetooth low energy connectivity
- Control heating and cooling setback through motion sensing and temperature measurement
- Control lighting through occupancy detection
- Luminosity sensor features a human-eye response to light for precise illuminance measurement under diverse lighting conditions
- An integrated LED indicator facilitates on-site localization and commissioning of the sensor.
- Both power and communications pass through a single Cat 5e cable for reduced installation costs and easier installation
- Daisy-chaining capabilities for maximum adjustment to the actual room characteristics (requires an ECx-Subnet-Adapter – not provided)
- Directly addressable via a rotary switch to facilitate configuration
- Integrated beacon technology that can be used in solutions such as indoor positioning systems (IPS).

Model Selection

EC-Multi-Sensor-BLE	
Corresponding Data Technology	Bluetooth low energy technology
Motion	■
Luminosity	■
Temperature (to be used as a backup sensor)	■

Accessories

Patch Cords	A large selection of patch cord lengths, pre-fitted with protective boot and dust cap. For use in conduit or plenum applications.
Cat 5e Cable	Spool of Cat 5e Cable – Without Connectors. For use in conduit or plenum applications.
Patch Connector Kit	100 Crimp RJ-45 Connectors
ECx-Subnet-Adapter	RJ-45 splitter for EC-Multi-Sensor-BLE daisy chaining

Product Specifications

Power

Voltage	16 VDC maximum, Class 2
Consumption	< 0.3 W

Wireless Communication

Type	Bluetooth v4.2
Frequency	2402-2480 MHz
Carrier Power	-9.18 dBm

Temperature Sensor

Type	10 kΩ NTC Thermistor
Range	+5°C to +40°C (41°F to 104°F)



As the sensor is directly installed in ceilings, it is not recommended to use its temperature sensor as the input of a space temperature control loop. The temperature sensor should only be used as a backup sensor.

Luminosity Sensor

Type	Photodiode
Response type	Human eye response
Range	0-4000 lux

Motion Sensor

Optic	16-face Fresnel lens
Type	Quad type passive infrared element
Rated detection distance	16ft (5m) maximum
Speed Range	1.0m/s
Minimum temperature difference between target and surroundings	4°C (7.2°F)
Detection range zones	64 zones
Detection Distance	See Figures 2 and 3
Operating principle	See Figure 4
Projection ranges	See Figure 5
Detection area	See Figure 6

Subnetwork

Compatible Controllers ¹	ECY-PTU/TU ECY-VAV ECY-303 ECY-S1000
Topology	Daisy-chain using an ECx-Subnet-Adapter (not provided)

1. A mixed architecture with standard room devices and Bluetooth low energy enabled devices is not recommended.

Maximum total subnetwork length	100m (328ft)
EOL Termination	Jumper selectable
Addressing	Rotary switch (integrated)
Connection	RJ-45
Cable	T568B Cat 5e network cable, 4 twisted pairs

1. A mixed architecture with standard room devices and Bluetooth low energy enabled devices is not recommended.

Mechanical

Overall Dimensions	Ø 40 x 33.4 mm (1.6 x 1.3")
Recessed Dimensions	Ø 32 x 25.7 mm (1.3 x 1.0")
Shipping weight	0.14 kg (0.3 lbs)
Enclosure material ¹	ABS
Enclosure rating	Plastic housing, UL94V-1
Color	White
Installation	In-ceiling mounting with provided hardware

1. All materials and manufacturing processes comply with the RoHS directive and are marked according to the Waste Electrical and Electronic Equipment (WEEE) directive.

Environmental

Operating Temperature	+5°C to 40°C (41°F to 104°F)
Storage Temperature	-20°C to 70°C (-4°F to 158°F)
Relative Humidity	20% to 90% Non-condensing
IP rating	IP20 (IEC 60529)

Standards and Regulations

CE - Emission	EN 61000-6-3: 2007 + A1: ed.2011
CE - Immunity	EN 61000-6-1: 2007
CE - Radio	EN 300 328 V2.1.1 November 2016
FCC	FCC rules part 15, subpart B, class B
UL Listed (CDN & US)	UL916 Energy management equipment
Plenum Rated	UL Standard 2043



Dimensions

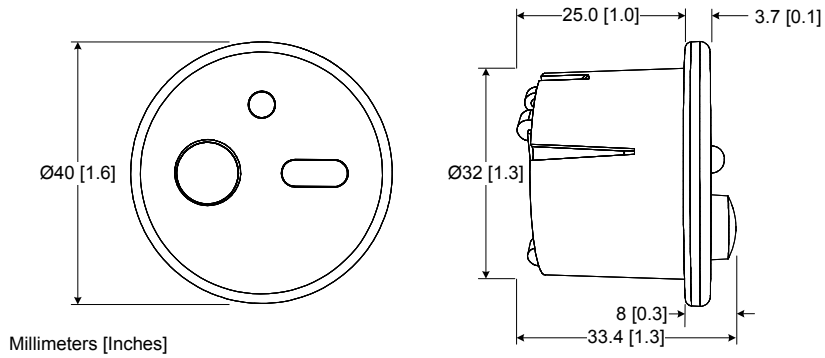


Figure 1: Dimensions

Detection Areas and Ranges

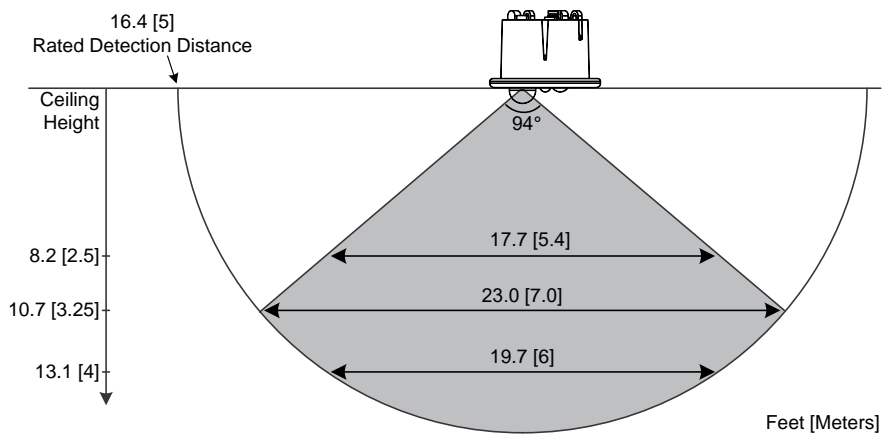


Figure 2: Horizontal Detection Distance

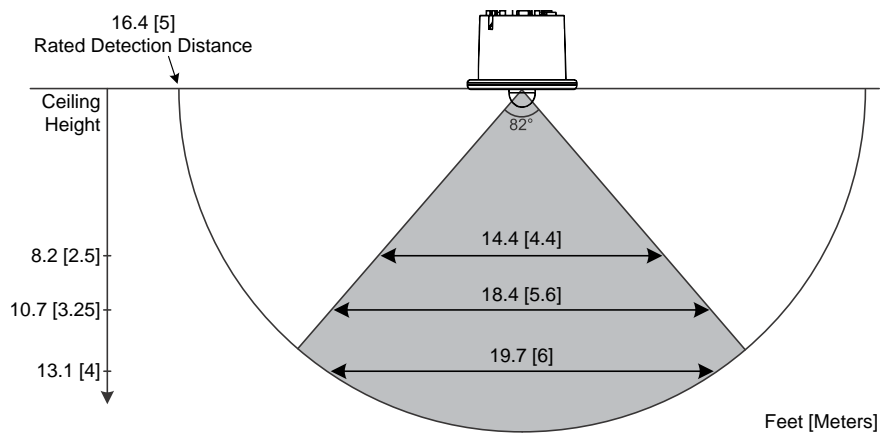


Figure 3: Vertical Detection Distance

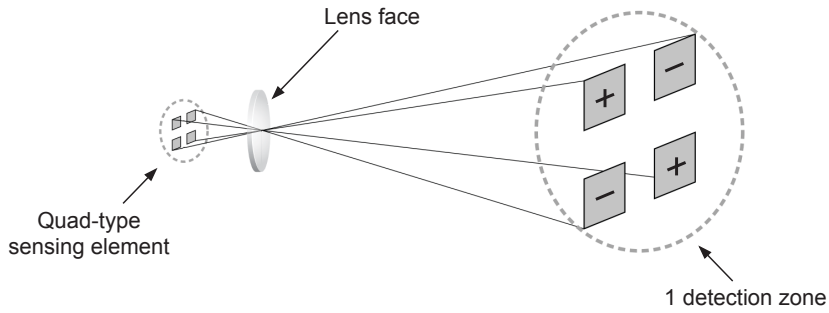


Figure 4: Operating principle

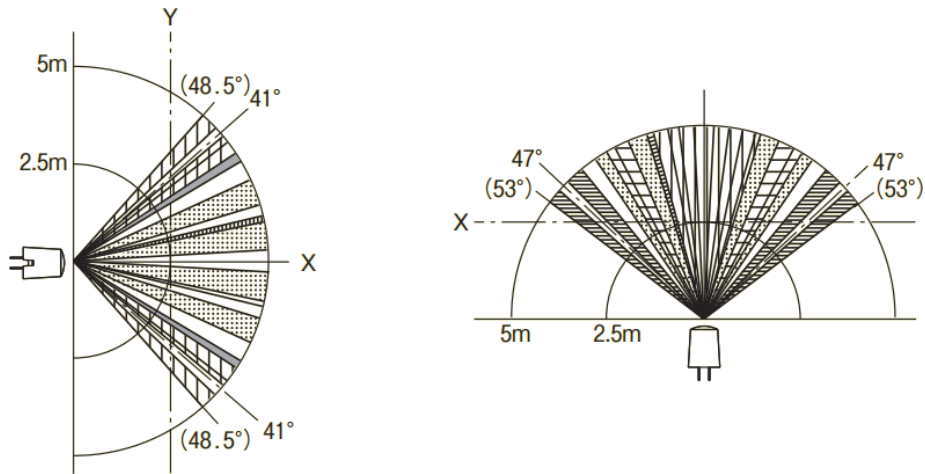


Figure 5: Projection ranges – side view (left) and top view (right)

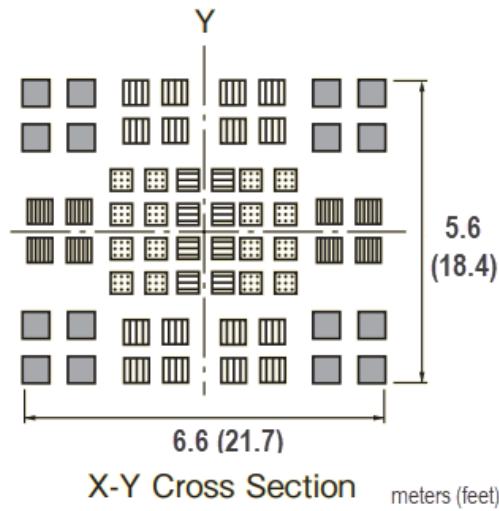


Figure 6: Detection area for a 2.5m (8.2ft) high sensor

Specifications subject to change without notice.

ECLYPSE, Distech Controls, the Distech Controls logo, EC-Net, Allure, and Allure UNITOUCH are trademarks of Distech Controls Inc. BACnet is a registered trademark of ASHRAE; BTL is a registered trademark of the BACnet Manufacturers Association. The Bluetooth™ word mark and logos are registered trademarks owned by Bluetooth SIG, Inc. and any use of such marks is under license. All other trademarks are property of their respective owners.

©, Distech Controls Inc., 2016 - 2021 All rights reserved.

Global Head Office - 4205 place de Java, Brossard, QC, Canada, J4Y 0C4 - EU Head Office - ZAC de Sacuny, 558 avenue Marcel Mérieux, 69530 Brignais, France